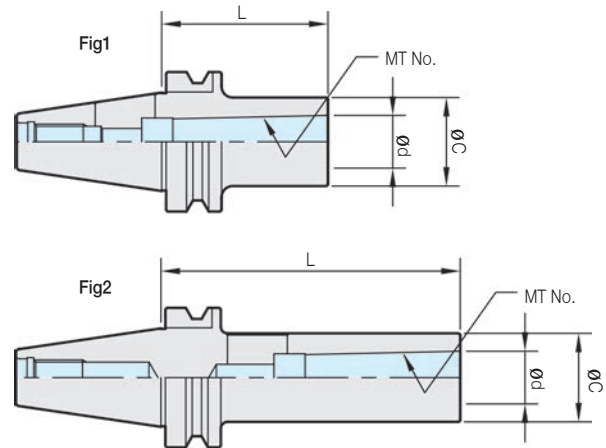


# MORSE TAPER HOLDER

■ for Morse taper shank with tang.



CODE No.  
**GBT50** **MTA1** **45**  
 Shank Morse Taper No. Length



**TAPER 접촉을 80% 이상 진동없음.**

GBT Tooling System은 BT 2면구속 Spindle에서 2면구속으로 사용이 가능하며 일반 BT Spindle에서도 사용이 가능합니다.  
 GBT Tooling System can be used as the double face contact with the double face contact spindle and also used with BT standard spindle.

## PRODUCT INFORMATION

■ Drill, reamer, 기타(MT Shank type tool)등을 사용할 수 있습니다.

■ MORSE TAPER HOLDER can use tool holder for drill, reamer, etc.

Code No.	ød	MT No.	L	øC	Fig	Weight (kg)
GBT30 - MTA1 - 45	12,065	1	45	25	1	0,5
MTA2 - 60	17,780	2	60	32		0,5
MTA3 - 80	23,825	3	80	40		0,5
GBT40 - MTA1 - 45	12,065	1	45	25	1	1,0
- 120			120		2	1,3
MTA2 - 60			60		32	1,0
- 120	17,780	2	120	32	2	1,5
MTA3 - 75	23,825	3	75	40	1	1,0
- 135			135		2	1,7
MTA4 - 95	31,267	4	95	50	1	1,6
- 165			165		2	1,7
GBT50 - MTA1 - 45			12,065		1	45
- 120	120	2		4,2		
- 180	180	2		4,3		
MTA2 - 45	17,780	2	45	32	1	3,9
- 135			135		2	4,3
- 180			180		2	4,6
MTA3 - 45	23,825	3	45	40	1	3,8
- 150			150		2	4,6
- 180			180		2	4,9
MTA4 - 75	31,267	4	75	50	1	3,9
- 180			180		2	5,4
MTA5 - 105			44,399		5	105
- 210	210	2		7,2		

## Drill Dia and Shank

Shank		MT1	MT2	MT3	MT4	MT5
Drill dia	Min	3,0	14,5	23,5	32,0	51,0
	Max	14,0	23,0	31,5	50,0	76,0