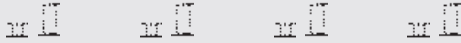
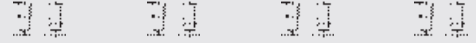




105/4 HSS-E 105/4 HSS-E 105/4 HSS-E 105/4 HSS-E



131/3 HSS-E 131/3 HSS-E 131/3 HSS-E 131/3 HSS-E



Norm/Norme/Norm Tol.



DIN 371 ISO 2 (6H) B/4
 DIN 376 ISO 2 (6H) B/4
 ASME ISO 2 (6H) B/4
 JIS ISO 2 (6H) B/4

DIN 371 ISO 2 (6H) C/2.5
 DIN 376 ISO 2 (6H) C/2.5
 ASME ISO 2 (6H) C/2.5
 JIS ISO 2 (6H) C/2.5

d	P		Art. Stock	Art. Stock	Art. Stock	Art. Stock	Art. Stock	Art. Stock	Art. Stock	Art. Stock	
M 2	0.40	1.6	C893564 n		A893564 n			C825690 n		A8 25690 n	
M 2.5	0.45	2.05	C893556 n		A893556 n			C825828 n		A825828 n	
M 3	0.50	2.5	C893572 d		A893572 d	J893572 d		C825925 d		A825925 d	J825925 d
M 4	0.70	3.3	C893580 d		A893580 d	J893580 d		C826034 d		A826034 d	J826034 d
M 5	0.80	4.2	C893599 d		A893599 d	J893599 d		C826085 d		A826085 d	J826085 d
M 6	1.00	5	C893602 d		A893602 d	J893602 d		C826123 d		A826123 d	J826123 d
M 8	1.25	6.8	C893610 d		A893610 d	J193631 d		C826212 d		A826212 d	J126291 d
M 10	1.50	8.5	C893629 d		A893629 d	J193632 d		C826247 d		A826247 d	J126292 d
M 12	1.75	10.2		C893637 d	A893637 d	J893637 d			C826298 d	A826298 d	J826298 d
M 14	2.00	12		C893645 n	A893645 n	J893645 n			C854852 n	A854852 n	J854852 n
M 16	2.00	14		C893653 n	A893653 n	J893653 n			C854860 n	A854860 n	J854860 n
M 18	2.50	15.5		C893661 n	A893661 n				C854879 n	A854879 n	
M 20	2.50	17.5		C893688 n	A893688 n				C854887 n	A854887 n	

D

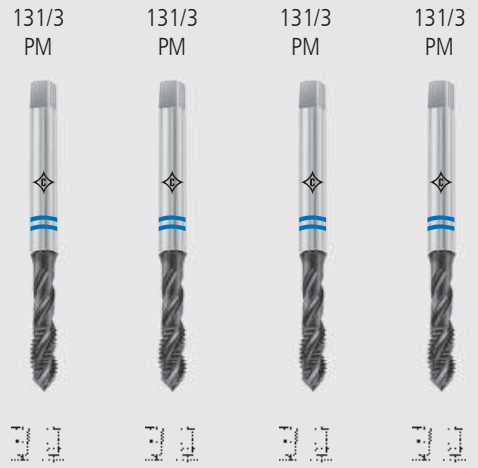
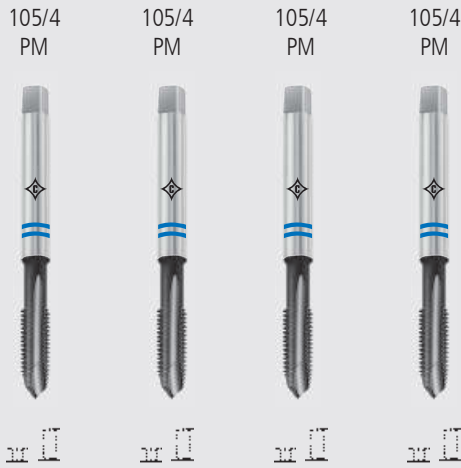
105/4 Blauring
131/3 Blauring
Speziell geeignet für G07 Nitrierstähle, **G09** Hitzebeständige Stähle, **G11** Rostfreie Cr-Stähle, ferritisch und martensitisch, **G12** Rostfreie Cr-Ni Stähle, austenitisch, **G31** Nickellegierungen, **G32** Titan und Titanlegierungen

F

105/4 Anneau bleu
131/3 Anneau bleu
Spécialement conçu pour G07 aciers pour nitruration, **G09** aciers réfractaires, **G11** aciers inoxydables Cr, ferritique et martensitique, **G12** aciers inoxydables Cr-Ni, austénitique, **G31** alliages de nickel, **G32** titane et alliages de titane

E

105/4 Blue ring
131/3 Blue ring
Specific suitable for G07 nitriding steels, **G09** heat resisting steels, **G11** Cr stainless steels, ferritic and martensitic, **G12** Cr-Ni stainless steels, austenitic, **G31** alloy of nickel, **G32** titanium and alloy of titanium



Norm/Norme/Norm Tol.



DIN 371 ISO 2 (6H)	DIN 376 ISO 2 (6H)	ASME ISO 2 (6H)	JIS ISO 2 (6H)
B/4	B/4	B/4	B/4

DIN 371 ISO 2 (6H)	DIN 376 ISO 2 (6H)	ASME ISO 2 (6H)	JIS ISO 2 (6H)
C/2.5	C/2.5	C/2.5	C/2.5

d	P		Art. Stock	Art. Stock	Art. Stock	Art. Stock	Art. Stock	Art. Stock	Art. Stock	Art. Stock
M 3	0.50	2.5	C843285 d		A843285 d	J843285 d	C843299 d		A843299 d	J843299 d
M 4	0.70	3.3	C843286 d		A843286 d	J843286 d	C843300 d		A843300 d	J843300 d
M 5	0.80	4.2	C843287 d		A843287 d	J843287 d	C843301 d		A843301 d	J843301 d
M 6	1.00	5	C843289 d		A843289 d	J843289 d	C843302 d		A843302 d	J843302 d
M 8	1.25	6.8	C843290 d		A843290 d	J143281 d	C843304 d		A843304 d	J143297 d
M 10	1.50	8.5	C843291 d		A843291 d	J143282 d	C843305 d		A843305 d	J143298 d
M 12	1.75	10.2		C843292 d	A843292 d	J843292 d		C843306 d	A843306 d	J843306 d
M 14	2.00	12		C843293 n	A843293 n	J843293 n		C843307 n	A843307 n	J843307 n
M 16	2.00	14		C843294 n	A843294 n	J843294 n		C843308 n	A843308 n	J843308 n
M 18	2.50	15.5		C843295 n	A843295 n			C843309 n	A843309 n	
M 20	2.50	17.5		C843296 n	A843296 n			C843310 n	A843310 n	

(D)

**105/4 Duo Blauring
131/3 Duo Blauring**

Speziell geeignet für G07 Nitrierstähle, **G09** Hitzebeständige Stähle, **G11** Rostfreie Cr-Stähle, ferritisch und martensitisch, **G12** Rostfreie Cr-Ni Stähle, austenitisch, **G31** Nickellegierungen, **G32** Titan und Titanlegierungen

(F)

**105/4 Duo anneau bleu
131/3 Duo anneau bleu**

Spécialement conçu pour G07 aciers pour nitruration, **G09** aciers réfractaires, **G11** aciers inoxydables Cr, ferritique et martensitique, **G12** aciers inoxydables Cr-Ni, austénitique, **G31** alliages de nickel, **G32** titane et alliages de titane

(E)

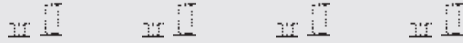
**105/4 Duo blue ring
131/3 Duo blue ring**

Specific suitable for G07 nitriding steels, **G09** heat resisting steels, **G11** Cr stainless steels, ferritic and martensitic, **G12** Cr-Ni stainless steels, austenitic, **G31** alloy of nickel, **G32** titanium and alloy of titanium

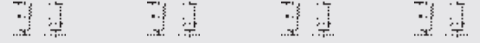


MF

105/4 HSS-E 105/4 HSS-E 105/4 HSS-E 105/4 HSS-E



131/3 HSS-E 131/3 HSS-E 131/3 HSS-E 131/3 HSS-E



Norm/Norme/Norm Tol.



DIN 371 ISO 2 (6H) B/4 DIN 374 ISO 2 (6H) B/4 ASME ISO 2 (6H) B/4 JIS ISO 2 (6H) B/4

DIN 371 ISO 2 (6H) C/2.5 DIN 374 ISO 2 (6H) C/2.5 ASME ISO 2 (6H) C/2.5 JIS ISO 2 (6H) C/2.5

d	P		Art. Stock	Art. Stock	Art. Stock	Art. Stock	Art. Stock	Art. Stock	Art. Stock	Art. Stock
MF 4	0.50	3.5	C811870 n		A811870 n	J811870 n	C884875 n		A884875 n	J884875 n
MF 5	0.50	4.5	C811871 n		A811871 n	J811871 n	C884883 n		A884883 n	J884883 n
MF 6	0.75	5.25	C811872 n		A811872 n	J811872 n	C884891 n		A884891 n	J884891 n
MF 8	0.75	7.25	C811873 n		A811873 n	J111892 n	C884905 n		A884905 n	J184789 n
MF 8	1.00	7	C811874 n		A811874 n	J111893 n	C884913 n		A884913 n	J184790 n
MF 10	0.75	9.25	C811875 n		A811875 n	J111894 n	C884921 n		A884921 n	J184791 n
MF 10	1.00	9	C811876 n		A811876 n	J111895 n	C884948 n		A884948 n	J184792 n
MF 10	1.25	8.8	C812350 n		A812350 n	J111896 n	C812352 n		A812352 n	J184793 n
MF 12	1.00	11		C811877 n	A811877 n	J811877 n		C884956 n	A884956 n	J884956 n
MF 12	1.25	10.8		C811879 n	A811879 n	J811879 n		C884964 n	A884964 n	J884964 n
MF 12	1.50	10.5		C811880 n	A811880 n	J811880 n		C884972 n	A884972 n	J884972 n
MF 14	1.00	13		C811881 n	A811881 n	J811881 n		C884980 n	A884980 n	J884980 n
MF 14	1.50	12.5		C811882 n	A811882 n	J811882 n		C884999 n	A884999 n	J884999 n
MF 16	1.00	12.5				J811883 n				J885006 n
MF 16	1.50	12.5				J811884 n				J885014 n

D

105/4 Blauring
131/3 Blauring

Speziell geeignet für G07 Nitrierstähle, **G09** Hitzebeständige Stähle, **G11** Rostfreie Cr-Stähle, ferritisch und martensitisch, **G12** Rostfreie Cr-Ni Stähle, austenitisch, **G31** Nickellegierungen, **G32** Titan und Titanlegierungen

F

105/4 Anneau bleu
131/3 Anneau bleu

Spécialement conçu pour G07 aciers pour nitruration, **G09** aciers réfractaires, **G11** aciers inoxydables Cr, ferritique et martensitique, **G12** aciers inoxydables Cr-Ni, austénitique, **G31** alliages de nickel, **G32** titane et alliages de titane

E

105/4 Blue ring
131/3 Blue ring

Specific suitable for G07 nitriding steels, **G09** heat resisting steels, **G11** Cr stainless steels, ferritic and martensitic, **G12** Cr-Ni stainless steels, austenitic, **G31** alloy of nickel, **G32** titanium and alloy of titanium